

# West Trailers 10t & 12t Range

## Standard Features

- ❖ Monocoque Tapered Body
- ❖ 4mm Floor; 3mm Sides
- ❖ Inspection Ladder
- ❖ Hydraulic Brakes
- ❖ Brakes 400mm x 80mm
- ❖ Parking Skid & Stowage
- ❖ Sprung Drawbar
- ❖ Road Lighting



## Optional Equipment

- ❖ Hydraulic Tail Gate
- ❖ Grain Chute
- ❖ Roll Over Sheet
- ❖ Side Load Kit
- ❖ Front Mesh
- ❖ Flotation Tyres
- ❖ Mud Guards

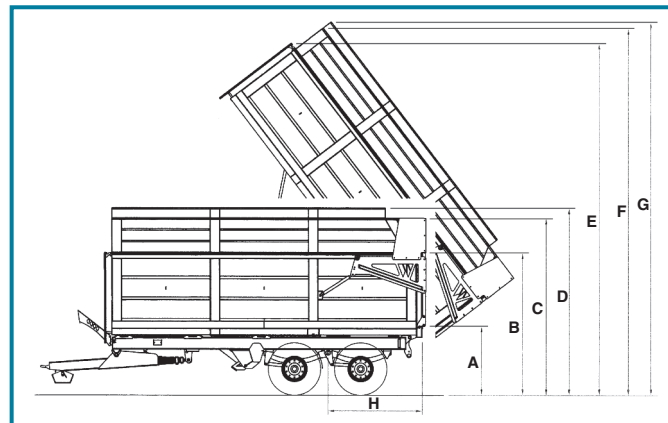


# Trailer Specifications

## 10t & 12t Range

Trailer Specifications		
Grain	10 Tonne	12 Tonne
Width Front (Body)	2.034m	2.034m
Width Rear (Body)	2.184m	2.184m
Length (Body)	4.980m	5.950m
Height (Body)	1.220m	1.220m
Volume (Level)	12.88m <sup>3</sup>	15.31m <sup>3</sup>
Silage		
Additional Height	0.880m	0.880m
Volume (Level)	22.17m <sup>3</sup>	26.30m <sup>3</sup>
Overall Height Grain	2.549m	2.475m
Overall Height Silage	3.353m	3.353m
Height of Floor from Ground	1.230m	1.230m
Overall Length	6.450m	7.250m
Overall Width of Trailer	2.440m	2.440m
Unladen Weight Grain	3.76t	4.22t
Unladen Weight Silage	4.46t	4.96t
Hydraulic Cylinders	Two Three Stage	Two Three Stage
Angle of Tip	50°	50°
Overall Height Tipped (Grain)	5.669m	6.412m
Overall Height Tipped (Silage)	6.232m	6.975m
Axle Wheel Track	1.830m	1.830m
Axle Beam Size	80mm Square	80mm Square
Brakes	400mm Dia x 80mm Wide	400mm Dia x 80mm Wide
Tyre Equipment Standard	385/65R22.5	385/65R22.5
Type of Chassis	250 x 150 x 8 Box	250 x 150 x 8 Box
Floor Size	4mm	4mm
Side Size	3mm	3mm
Silage Side Size	3mm	3mm
Type of Axle	8 Stud	8 Stud
Sprung Drawbar	Standard	Standard

	10t	12t
A	1.230m	1.230m
B	2.475m	2.475m
C	3.353m	3.353m
D	3.791m	3.791m
E	5.669m	6.412m
F	6.232m	6.975m
G	-	-
H	1.703m	2.109m



**HARRY WEST (PREES) LIMITED**

**Agricultural Engineers**

Lower Heath, Prees, Whitchurch, Shropshire SY13 2BT

Telephone: +44 (0) 1948 840465 Fax: +44 (0) 1948 841055

email: sales@harrywest.co.uk www.harrywest.co.uk

