

West Trailers 14t & 16t C27 Range

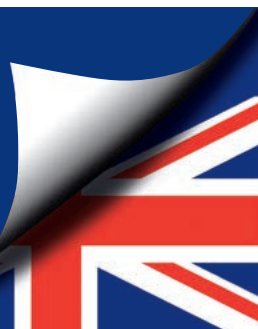


Standard Features

- ❖ Monocoque Tapered Body
- ❖ 5mm Floor; 4mm Sides
- ❖ Inspection Ladder
- ❖ Body Prop
- ❖ Polycarbonate Front Window
- ❖ Commercial Axles
- ❖ Hydraulic Brakes
- ❖ Brakes 420mm x 180mm
- ❖ Parking Skid & Stowage
- ❖ Hydraulic Tailgate
- ❖ Sprung Drawbar
- ❖ Swivel Hitch
- ❖ LED Lights & Side Markers
- ❖ Mud Guards
- ❖ Mud Flaps
- ❖ Reflective Markers

Optional Equipment

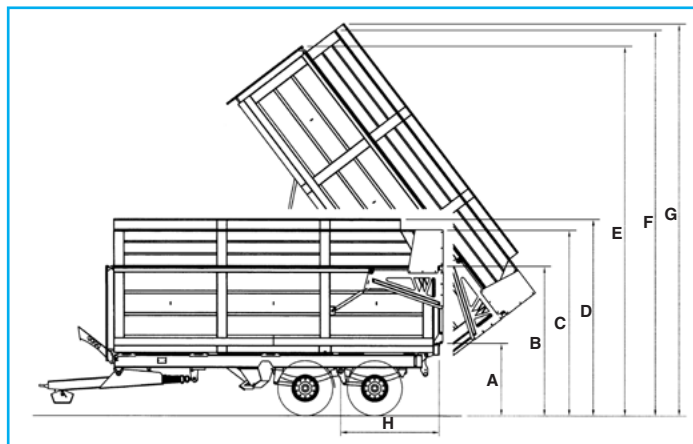
- ❖ Grain Chute
- ❖ Roll Over Sheet
- ❖ Flotation Tyres
- ❖ Air with ABS & ESP
- ❖ Hydraulic Load Sensing
- ❖ Hydraulic Fail Safe
- ❖ Side Load Kit
- ❖ Highline LED Lights
- ❖ Beacon



Trailer Specifications

Grain	14 Tonne	16 Tonne
Width Front (Body)	2.180m	2.180m
Width Rear (Body)	2.350m	2.350m
Length (Body)	5.600m	6.350m
Height (Body)	1.500m	1.500m
Volume (Level)	19.0m ³	21.5m ³
Silage		
Additional Height	0.70m	0.70m
Volume (Level)	27.9m ³	31.7m ³
Overall Height Grain	2.888m	2.913m
Overall Height Silage	3.594m	3.621m
Height of Floor from Ground	1.393m	1.418m
Overall Length	7.050m	7.800m
Overall Width of Trailer	2.535m	2.535m
Unladen Weight Grain	T.F.	T.F.
Unladen Weight Silage	T.F.	T.F.
Hydraulic Cylinders	Two Three Stage Chromed	Two Three Stage Chromed
Angle of Tip	56°	52°
Overall Height Tipped (Grain)	6.723m	7.201m
Overall Height Tipped (Silage)	7.087m	7.635m
Axle Wheel Track	1.90m	1.90m
Axle Beam Size	127mm Ø	127mm Ø
Brakes	420mm Dia x180mm Wide	420mm Dia x180mm Wide
Tyre Equipment Standard	385/65R22.5	385/65R22.5
Type of Chassis	250 x 150 x 8 Box	250 x 150 x 8 Box
Floor Size	5mm	5mm
Side Size	4mm	4mm
Silage Side Size	3mm	3mm
Type of Axle	10 Stud	10 Stud
Sprung Drawbar	Standard	Standard

	14t	16t
A	1.393m	1.418m
B	2.888m	2.913m
C	3.569m	3.621m
D	3.806m	3.831m
E	6.723m	7.201m
F	6.973m	7.506m
G	7.086m	7.635m
H	1.718m	1.995m



Harry West (Prees) Limited
Agricultural Engineers

Lower Heath, Prees, Whitchurch, Shropshire SY13 2BT
Telephone +44 (0)1948 840465 Fax +44 (0)1948 841055
email sales@harrywest.co.uk www.harrywest.co.uk

